

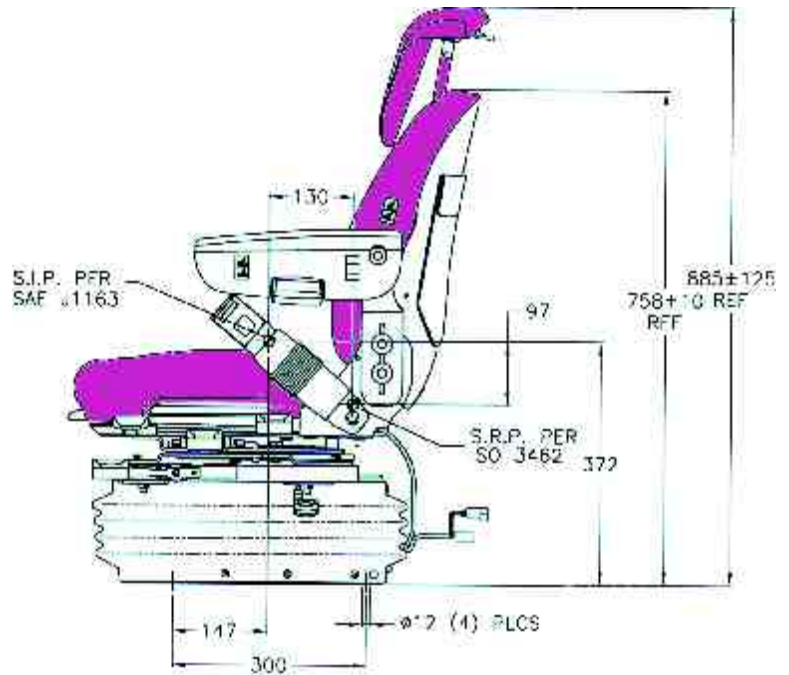
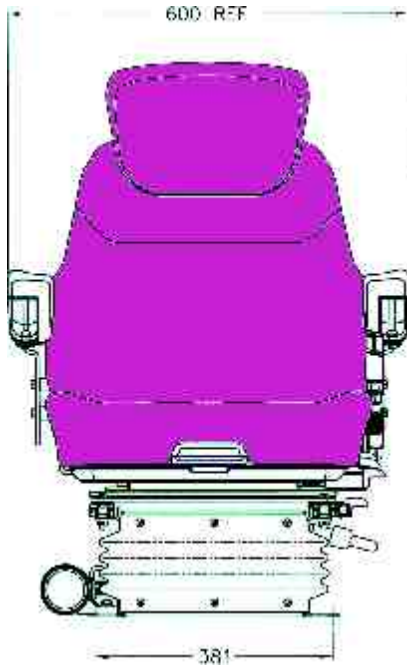
# SEARS SEATING

## D5080 VIS



Niederfrequenz Federung  
Low Frequency Suspension  
Suspension a Frequenze ultra basse

## D5080



Large very low frequency, VIS air suspension, with Airide® high volume air spring & air tank

### FEATURES

- Double depth cut & sew luxury fabric, comfort cushions
- 2 Upper back rest height adjustable
- Back angle fully adjustable 55°
- Seat height adjustment 76mm
- Automatic weight adjustment 30 to 150kg
- Automatic ride protection system (ARPST™)
- Seat cushion length adjustment 60mm
- Seat cushion tilt adjustment 21°
- Horizontal isolator fully integrated, sprung & Duo® damped
- Lateral isolator
- External air tank for optimum ride volume
- Adjustable & tilt up armrests
- Suspension stroke 90mm
- Swivel 21°- 21°
- Fore-aft slide travel 200mm
- Electric air lumbar
- Suspension cover
- Operator presence switch

### OPTIONS

- Seat belt to ISO 6683
- Luxury Leather trim
- Seat Heaters 12v

