

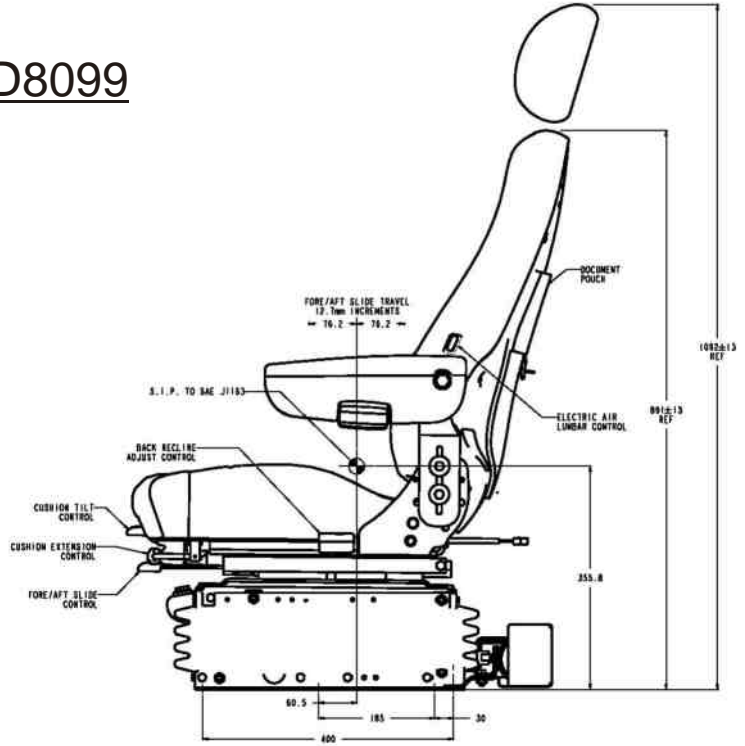
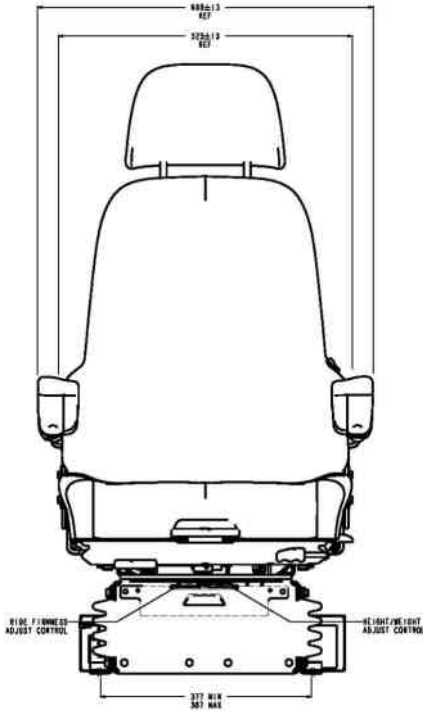
SEARS SEATING

Сиденье D8099 3P



 Niederfrequenz Federung
Low Frequency Suspension

Suspension a Frequenza ultra basse



Wide severe duty Toggle Link low frequency Computer Controlled plug & play, Active-S air suspension with three position ride selector & Airide® high volume air spring.

Airide®

Duo®

FEATURES

- Replaceable double depth comfort cushion
- Headrest with 3 position angle adjustment
- Back angle fully adjustable 55 °
- Seat height adjustment 76mm
- Automatic weight adjustment 50 to 180kg
- Seat cushion length adjustment 60mm
- Seat cushion tilt adjustment 21°
- Ride selector 3 three positions
- Motion Master® Semi-Active Damper
- Suspension stroke 80mm
- Lateral isolator fully integrated, sprung & Duo® damped
- Electric air lumbar
- Suspension cover
- 3 point Seatbelt

Fabriform®

55 °

76mm

50 to 180kg

60mm

21°

Motion Master®

80mm

Duo®

3-

OPTIONS

- Armrests with height pitch & tilt up adjustment
- Lateral isolator
- Seat belt to ISO 6683
- Seat heaters 12v or 24v
- Operator presence switch
- Range of high quality fabric

12v or 24v

ISO 6683

